

# Creation Plus



glamm®  
fire

GlammFire

# Tango EVOPlus

Designed to proclaim flame's expression through its divine dance in environments full of life.

**Materials//** Rusted corten steel / Brushed stainless steel / Lacquered steel / Oxidized copper / Leather

**Ignition//** electronic — remote control | display

**Tank//** 3 litres (liquid bioethanol)

**Combustion fire line//** Length - 250 mm | **Material//** black ceramic-coated brushed stainless steel

**Dimensions//** 700 w x 1100 h x 223 d mm

**Weight//** 78 kg

**Power//** 1,4 kW

**Autonomy//** 6:30 hours

**Recommended minimum area//** 9 sqm

## GlammFire

Recuperadores Pachinha Lda.  
Zona Industrial da Lagoa, Lote G1  
4950-850 CORTES - MONÇÃO  
PORTUGAL

Tel(+351) 251 654 800  
Fax(+351) 251 654 801  
info@glammfire.com  
www.glammfire.com



GlammFire

# Lotus EVOPlus

Simple framework in the decoration of your home.

**Materials//** Rusted corten steel / Brushed stainless steel /  
Lacquered steel / Leather

**Ignition//** electronic — remote control | display

**Tank//** 3 litres (liquid bioethanol)

**Combustion fire line//** Length - 250 mm | **Material//** black  
ceramic-coated brushed stainless steel

**Dimensions//** 830 w x 830 h x 223 d mm

**Weight//** 67 kg

**Power//** 1,4 kW

**Autonomy//** 6:30 hours

**Recommended minimum area//** 9 sqm

## GlammFire

Recuperadores Pachinha Lda.  
Zona Industrial da Lagoa, Lote G1  
4950-850 CORTES - MONÇÃO  
PORTUGAL

Tel(+351) 251 654 800  
Fax(+351) 251 654 801  
info@glammfire.com  
www.glammfire.com



GlammFire

# Apollo EVOPlus

The sophistication and simplicity in indoor environments with modern and daring style.

**Materials//** Rusted corten steel / Brushed stainless steel / Lacquered steel / Leather

**Ignition//** electronic — remote control | display

**Tank//** 5 litres (liquid bioethanol)

**Combustion fire line//** Length - 800 mm | **Material//** black ceramic-coated brushed stainless steel

**Dimensions//** 1450 w x 650 h x 223 d mm

**Weight//** 90 kg

**Power//** 4,5 kW

**Autonomy//** 5:00 hours

**Recommended minimum area//** 29 sqm



## GlammFire

Recuperadores Pachinha Lda.  
Zona Industrial da Lagoa, Lote G1  
4950-850 CORTES - MONÇÃO  
PORTUGAL

Tel(+351) 251 654 800  
Fax(+351) 251 654 801  
info@glammfire.com  
www.glammfire.com

GlammFire

# Mito Genesis EVOPlus

Pure geometrical inspiration that seduces through the perfect design of its features.

**Materials//** Rusted corten steel / Brushed stainless steel / Lacquered steel

**Ignition//** electronic — remote control | display

**Tank//** 5 litres (liquid bioethanol)

**Combustion fire line//** Length - 800 mm | **Material//** black ceramic-coated brushed stainless steel

**Dimensions//** 1450 w x 650 h x 203 d mm

**Weight//** 80 kg

**Power//** 4,5 kW

**Autonomy//** 5:00 hours

**Recommended minimum area//** 29 sqm



GlammFire

Recuperadores Pachinha Lda.  
Zona Industrial da Lagoa, Lote G1  
4950-850 CORTES - MONÇÃO  
PORTUGAL

Tel(+351) 251 654 800  
Fax(+351) 251 654 801  
info@glammfire.com  
www.glammfire.com

GlammFire

# Apollo IV EVOPlus

A self identity marked by the irreverence of the details.

**Materials//** Rusted corten steel / Brushed stainless steel /  
Lacquered steel / Corten varnished steel

**Ignition//** electronic — remote control | display

**Tank//** 5 litres (liquid bioethanol)

**Combustion fire line//** Length - 800 mm | **Material//** black  
ceramic-coated brushed stainless steel

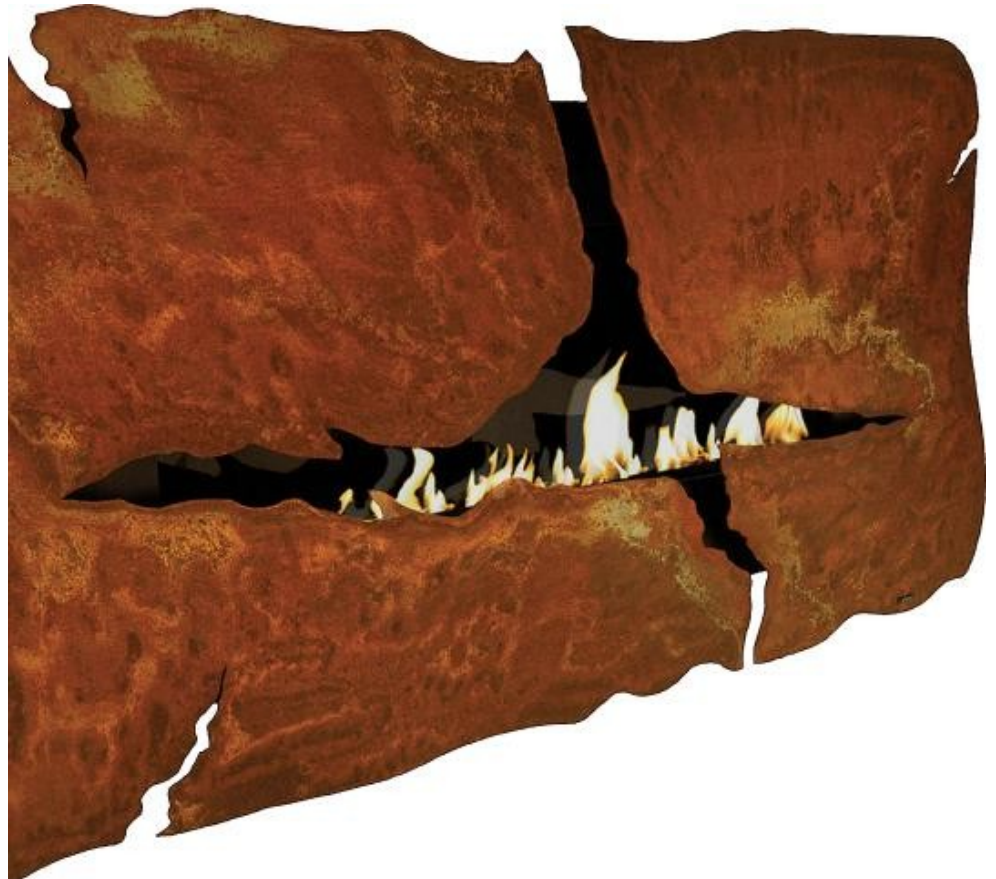
**Dimensions//** 1628 w x 870 h x 243 d mm

**Weight//** 110 kg

**Power//** 4,5 kW

**Autonomy//** 5:00 hours

**Recommended minimum area//** 29 sqm



GlammFire

Recuperadores Pachinha Lda.  
Zona Industrial da Lagoa, Lote G1  
4950-850 CORTES - MONÇÃO  
PORTUGAL

Tel(+351) 251 654 800  
Fax(+351) 251 654 801  
info@glammfire.com  
www.glammfire.com

GlammFire

# Mito Small Genesis EVOPlus

Perfect interaction between heating and decoration.

**Materials//** Rusted corten steel / Brushed stainless steel / Lacquered steel

**Ignition//** electronic — remote control | display

**Tank//** 3 litres (liquid bioethanol)

**Combustion fire line//** Length - 400 mm | **Material//** black ceramic-coated brushed stainless steel

**Dimensions//** 1000 w x 650 h x 203 d mm

**Weight//** 58 kg

**Power//** 2,25 kW

**Autonomy//** 6:00 hours

**Recommended minimum area//** 14 sqm



GlammFire

Recuperadores Pachinha Lda.  
Zona Industrial da Lagoa, Lote G1  
4950-850 CORTES - MONÇÃO  
PORTUGAL

Tel(+351) 251 654 800  
Fax(+351) 251 654 801  
info@glammfire.com  
www.glammfire.com

GlammFire

# Mito Small EVOPlus

Compact and reduced. Above all, it still remains a Mito.

**Materials//** Rusted corten steel / Brushed stainless steel /  
Lacquered steel / Leather

**Ignition//** electronic — remote control | display

**Tank//** 3 litres (liquid bioethanol)

**Combustion fire line//** Length - 400 mm | **Material//** black  
ceramic-coated brushed stainless steel

**Dimensions//** 1000 w x 650 h x 223 d mm

**Weight//** 68 kg

**Power//** 2,25 kW

**Autonomy//** 6:00 hours

**Recommended minimum area//** 14 sqm



## GlammFire

Recuperadores Pachinha Lda.  
Zona Industrial da Lagoa, Lote G1  
4950-850 CORTES - MONÇÃO  
PORTUGAL

Tel(+351) 251 654 800  
Fax(+351) 251 654 801  
info@glammfire.com  
www.glammfire.com



GlammFire

# Zen EVOPlus

Timelessness and versatility in Zen inspired environments.

**Materials//** Rusted corten steel / Brushed stainless steel /  
Lacquered steel / Leather

**Ignition//** electronic — remote control | display

**Tank//** 3 litres (liquid bioethanol)

**Combustion fire line//** Length - 400 mm | **Material//** black  
ceramic-coated brushed stainless steel

**Dimensions//** 1100 w x 750 h x 223 d mm

**Weight//** 76 kg

**Power//** 2,25 kW

**Autonomy//** 6:00 hours

**Recommended minimum area//** 14 sqm



GlammFire

Recuperadores Pachinha Lda.  
Zona Industrial da Lagoa, Lote G1  
4950-850 CORTES - MONÇÃO  
PORTUGAL

Tel(+351) 251 654 800  
Fax(+351) 251 654 801  
info@glammfire.com  
www.glammfire.com

GlammFire

# Hypnosz EVOPlus

The expression of hypnotic look and overconfident posture define the captivating presence of Hypnosz EVOPlus.

Its seductive curves underline the excellent fusion of colours and finishes which give it a distinctive character.

**Materials//** Rusted corten steel / Lacquered steel

**Ignition//** electronic — remote control | display

**Tank//** 3 litres (liquid bioethanol)

**Combustion fire line//** Length - 250 mm | **Material//** black ceramic-coated brushed stainless steel

**Dimensions//** 700 w x 1100 h x 225 d mm

**Weight//** 88 kg

**Power//** 1,4 kW

**Autonomy//** 6:30 hours

**Recommended minimum area//** 9 sqm



## GlammFire

Recuperadores Pachinha Lda.  
Zona Industrial da Lagoa, Lote G1  
4950-850 CORTES - MONÇÃO  
PORTUGAL

Tel(+351) 251 654 800  
Fax(+351) 251 654 801  
info@glammfire.com  
www.glammfire.com

GlammFire

# Crystal EVOPlus

Invoking the power of crystals as inspiration, Crystal EVOPlus presents itself as a visually provocative and irreverent model, resulting of the remarkable combination between modern design and finish quality.

**Materials//** Rusted corten steel / Lacquered steel

**Ignition//** electronic — remote control | display

**Tank//** 3 litres (liquid bioethanol)

**Combustion fire line//** Length - 400 mm | **Material//** black ceramic-coated brushed stainless steel

**Dimensions//** 1100 w x 750 h x 293 d mm

**Weight//** 87 kg

**Power//** 2,25 kW

**Autonomy//** 6:00 hours

**Recommended minimum area//** 14 sqm

## GlammFire

Recuperadores Pachinha Lda.  
Zona Industrial da Lagoa, Lote G1  
4950-850 CORTES - MONÇÃO  
PORTUGAL

Tel(+351) 251 654 800  
Fax(+351) 251 654 801  
info@glammfire.com  
www.glammfire.com



GlammFire

# Crea7ion EVOPlus

Flammable materials

Do not place flammable materials near the fireplace,  
within 1m;

Racks or shelves should be distant:

From fireplaces: 500 mm;

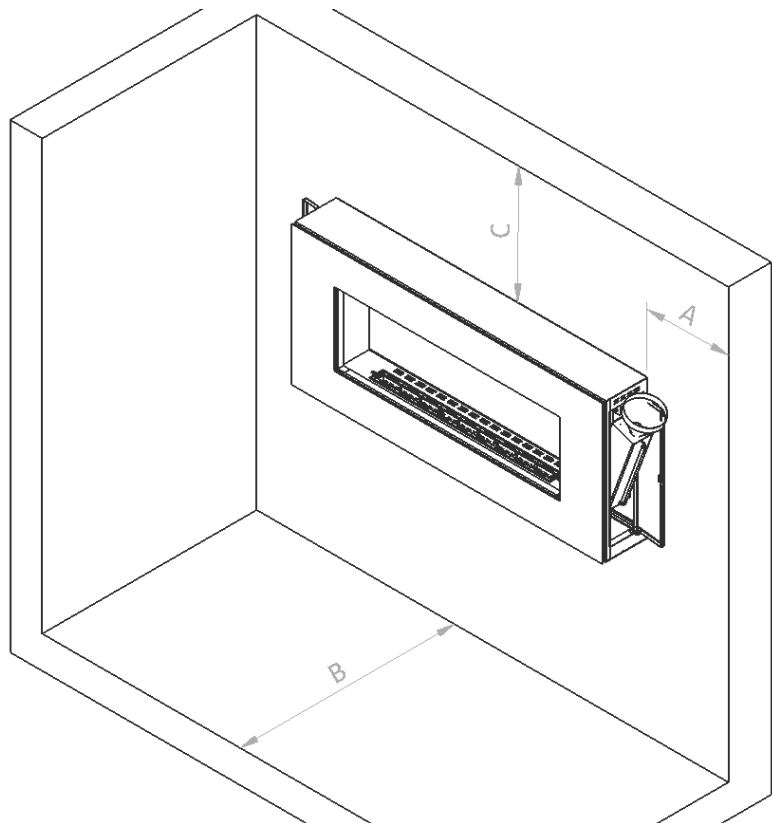
From combustion fire lines: 1000 mm;

**Materials: stone/metal/ceramics**

A - 100 mm;

B - 150 mm;

C - 500 mm;



**GlammFire**

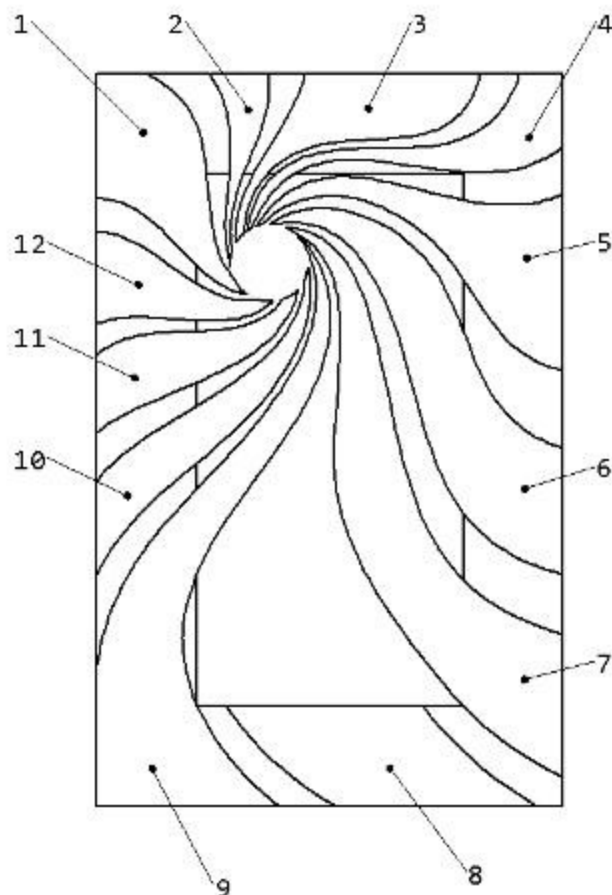
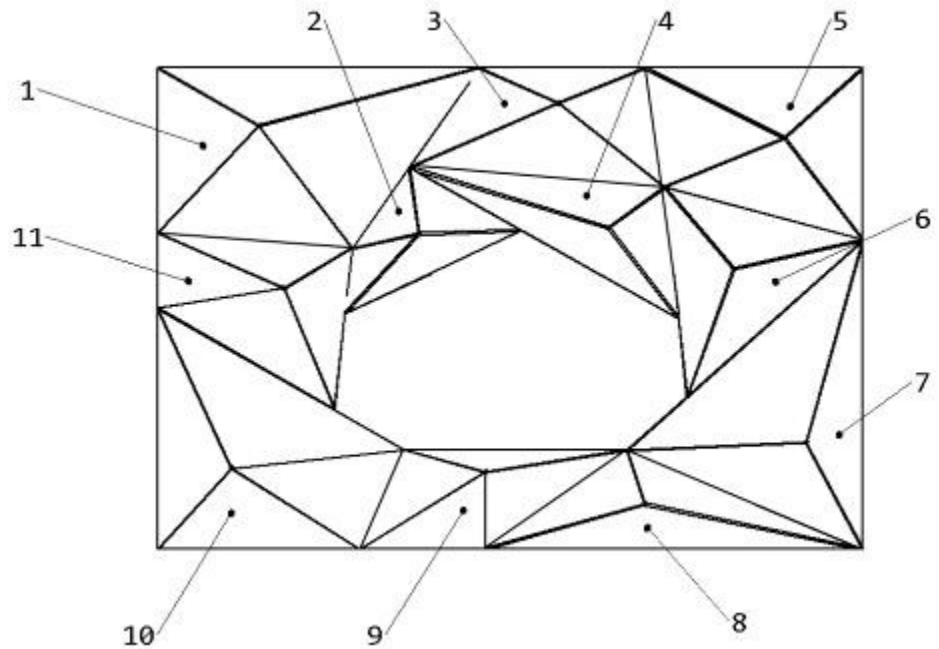
Recuperadores Pachinha Lda.  
Zona Industrial da Lagoa, Lote G1  
4950-850 CORTES - MONÇÃO  
PORTUGAL

Tel(+351) 251 654 800  
Fax(+351) 251 654 801  
info@glammfire.com  
www.glammfire.com

GlammFire

# Crea7ion EVOPlus

Choice of finishing combination:



## GlammFire

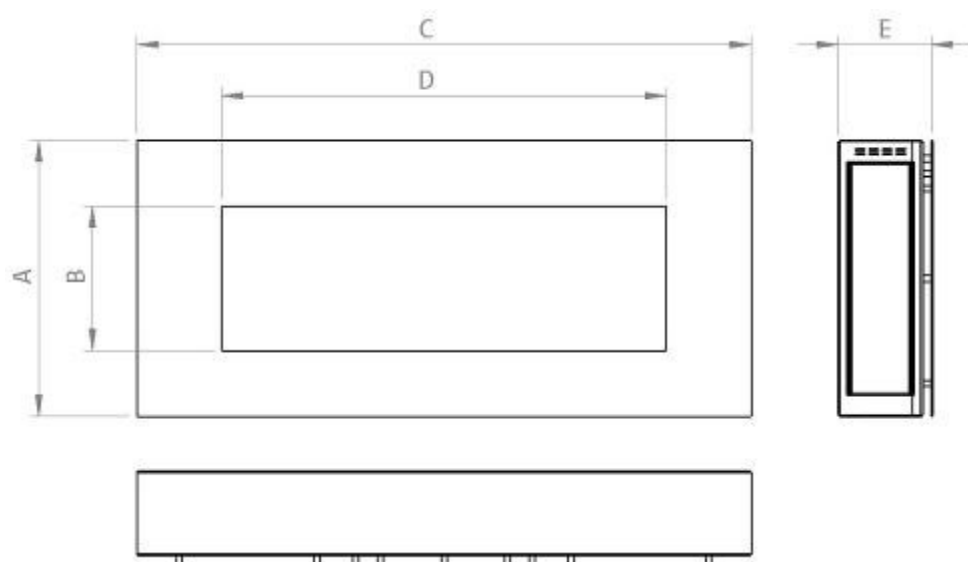
Recuperadores Pachinha Lda.  
Zona Industrial da Lagoa, Lote G1  
4950-850 CORTES - MONÇÃO  
PORTUGAL

Tel(+351) 251 654 800  
Fax(+351) 251 654 801  
info@glammfire.com  
www.glammfire.com

GlammFire

# Crea7ionEVOPlus

Overall Dimensions/Specifications



MODEL	Dimensions (mm)					Weight (kg)	Capacity (litres)	Power (Kw)	Combustion fire line (mm)	Autonomy (hours)
	A	B	C	D	E					
Tango EVO	1100	800	700	400	223	78	3	1,4	250	6:30
Lotus EVO	830	450	830	450	223	67	3	1,4	250	6:30
Apollo EVO	650	340	1450	1050	223	90	5	4,5	800	5
Mito Genesis EVO	650	340	1450	1026	203	80	5	4,5	800	5
Apollo IV EVO	870	650	1628	1450	243	110	5	4,5	800	5
Mito Small Genesis EVO	650	340	1000	576	203	58	3	2,25	400	6
Mito Small EVO	650	340	1000	600	223	68	3	2,25	400	6
Zen EVO	750	440	1100	550	223	76	3	2,25	400	6
Hypnosz EVO	1100	800	700	400	225	88	3	1,4	250	6:30
Crystal EVO	750	321	1100	450	293	87	3	2,25	400	6

GlammFire

Recuperadores Pachinha Lda.  
Zona Industrial da Lagoa, Lote G1  
4950-850 CORTES - MONÇÃO  
PORTUGAL

Tel(+351) 251 654 800  
Fax(+351) 251 654 801  
info@glammfire.com  
www.glammfire.com

PT08259-B

glamm®  
fire