

GlammFire

# COSMO



Bringing solar inspiration, reflected in a multiplicity of concentric rays, Cosmo is a model with strong expression and luxurious detail.

Its design and all its surroundings allow it to adapt easily to indoor and outdoor environments.

## GlammFire

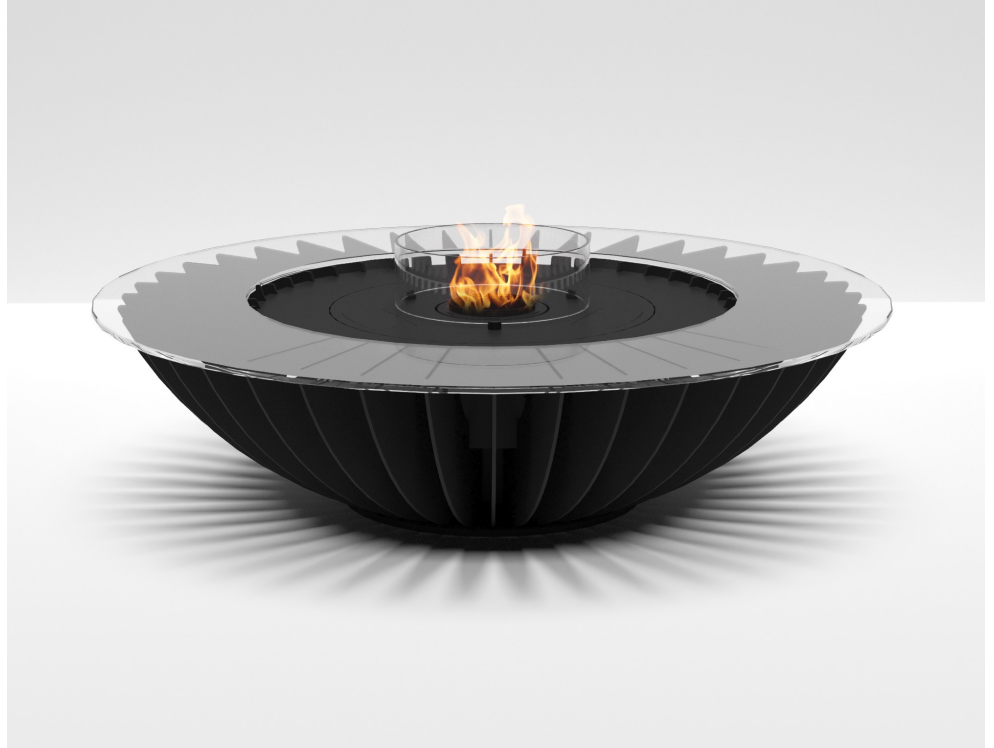
Recuperadores Pachinha Lda.  
Zona Industrial da Lagoa, Lote G1  
Rua da Suíça, nº213  
4950-850 CORTES - MONÇÃO  
PORTUGAL

Tel(+351) 251 654 800  
Fax(+351) 251 654 801

*glamm*<sup>®</sup>  
fire

GlammFire

# Cosmo - Evo Round



## Technical Characteristics

### Fireplace

**Materials** // Steel or Corten Steel

**Finishings** // Black/white lacquered steel

Rusted corten steel

RAL (more options and finishings under consultation)

**Dimensions** // 1220Ø x H445 mm | 48Ø x H17,5"

**Weight** // 209 kg | 460 lbs

**Accessories**// Lower Glass - High Temperature Resistant Glass - included

Top support glass - included

Protection cover - optional

### Combustion Zone

**Burner**// Crea7ionEVOPlus Fire Round S

**Finishings** // Brushed stainless steel - optional

Black/white lacquered stainless steel

Polished stainless steel - optional

Black titanium-coated brushed stainless steel - optional

Black titanium-coated polished stainless steel - optional

**Fuel** // Bioethanol

**Ignition Mode** // Remote Control

**Tank** // 5 L

**Power** // 2,25 - 3,5 kW

**Autonomy** // 9 - 14 hours

## GlammFire

Recuperadores Pachinha Lda.  
Zona Industrial da Lagoa, Lote G1  
Rua da Suíça, nº213  
4950-850 CORTES - MONÇÃO  
PORTUGAL

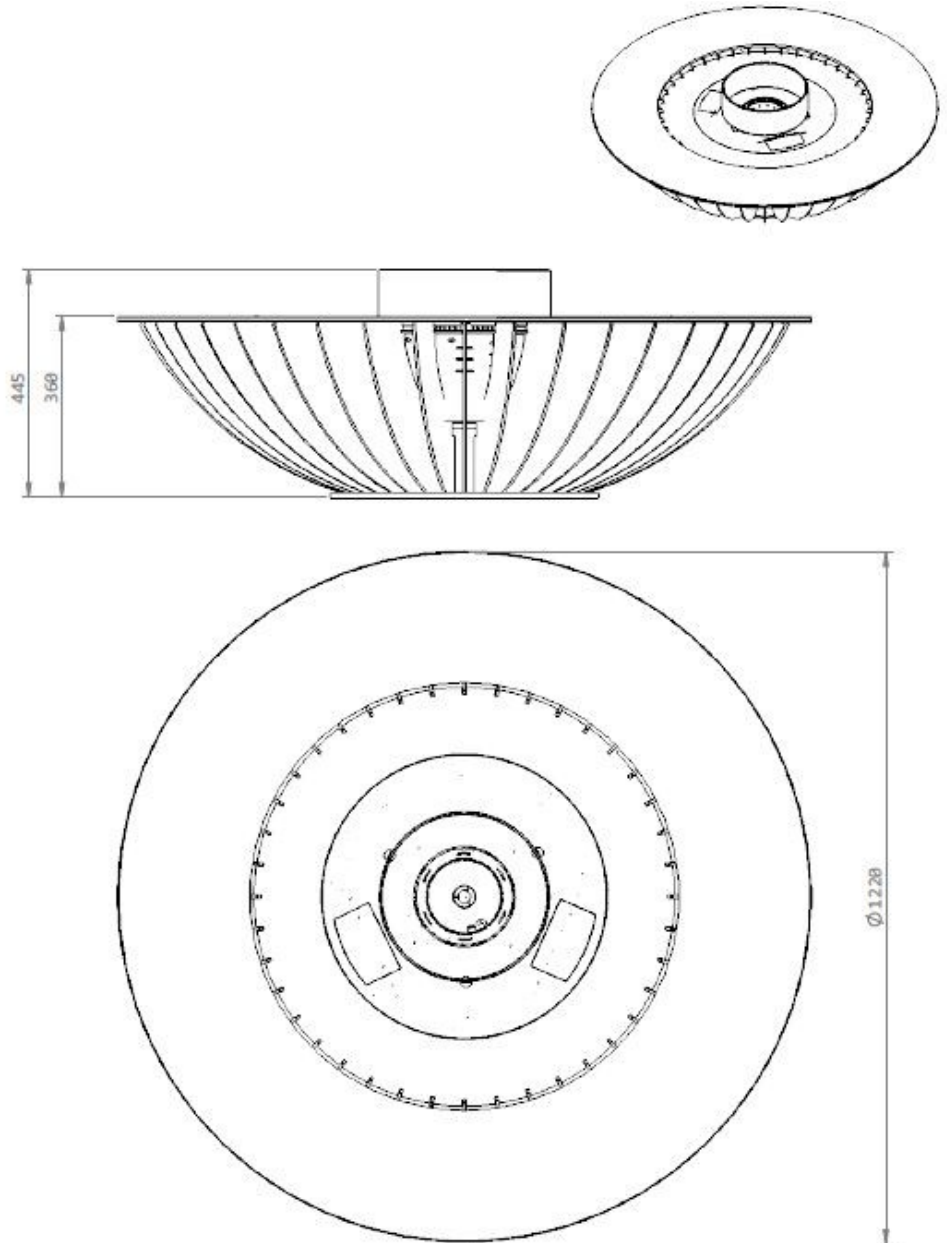
Tel(+351) 251 654 800  
Fax(+351) 251 654 801

glamm®  
fire

GlammFire

# Cosmo - Evo Round

## General Dimensions



## GlammFire

Recuperadores Pachinha Lda.  
Zona Industrial da Lagoa, Lote G1  
Rua da Suíça, nº213  
4950-850 CORTES - MONÇÃO  
PORTUGAL

Tel(+351) 251 654 800  
Fax(+351) 251 654 801

PT14670-A

*glamm*<sup>®</sup>  
fire