

Crea7ionPlus



Evolving the perfection of fire.

Technical Data Sheet

GlammBox Crea7ionEVO Plus Room Divider, 3 Faces, Corner R/L

GlammBox Crea7ionEVO Plus

Why choosing Crea7ionEVO Plus:

- **Fire Line** - Linear and continuous fire line.
- **Combustion area**—Custom dimensions, from 400mm to 2400mm.
- **Safety** - Equipped with multiple safety sensors .
- **Display** - Provides a better user experience.
- **Language** - Language selection.
- **Remote Control**—Practical and functional.
- **Battery**—Does not require electrical installation.
- **Tank** - Capacities: 3L, 5L,8L and 10L.
- **Materials**—High-quality materials (Titanium and Stainless Steel). High durability.
- **Installation** -Even more compact dimensions.
- **Automatic filling system**—Automatic filling system, practical and clean.
- **Displaced automatic filling system**—Provides the comfort of an automatic supply distanced from the installation site.
- **Home Automation**—System equipped with the highest technology, with built-in home automation.

GlammBox Crea7ionEVO Plus

Safety of Crea7ionEVOPlus:

- **Levelling Sensor-** The system switches off in case of unevenness or fall;
- **Leak Sensor-** The system shuts down in the event of any type of fuel leak or spillage;
- **Vibration Sensor-** The system shuts off in case of an accidental shock;
- **Tank door locking system-** For user safety, the tank door locks while the system is running or at high temperature;
- **Muffling of the Combustion Line-** The system shuts down if it is muffled with something;
- **Liquid Spillage on the Combustion Line-** The system shuts down if it detects an addition of liquid on the combustion line;
- **Overheating -** The system switches off if it detects overheating due to poor ventilation.

GlammBox Crea7ionEVO Plus



Finishings

Black laquered steel



GlammBox Crea7ionEVO Plus

Installation

Flammable materials

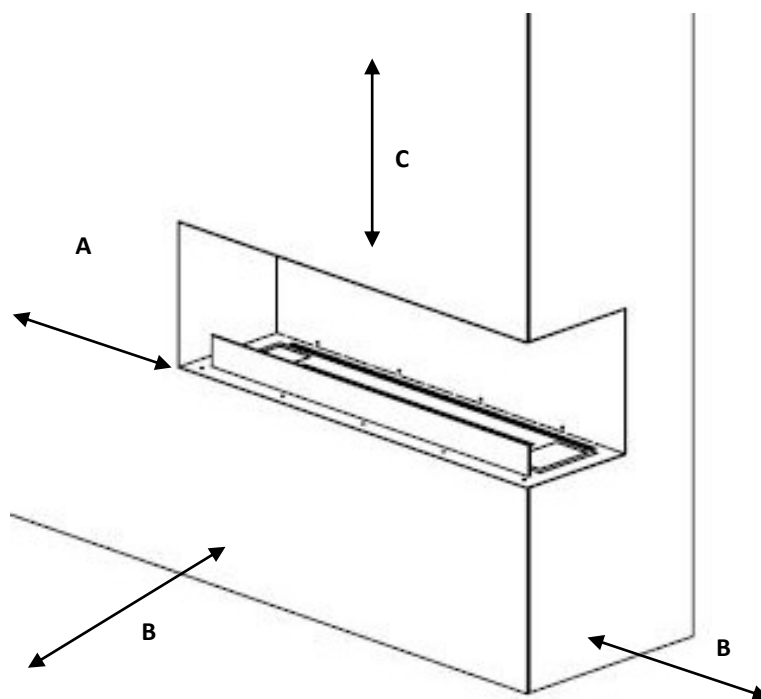
- . Do not place flammable materials near the fireplace, within 1m;
- . Racks or shelves should be distant 1m from the combustion fire line;

Materials: stone/metal/ceramics

- . A - 100 mm;
- . B - 100 mm;
- . C - 500 mm;

Other non-flammable materials

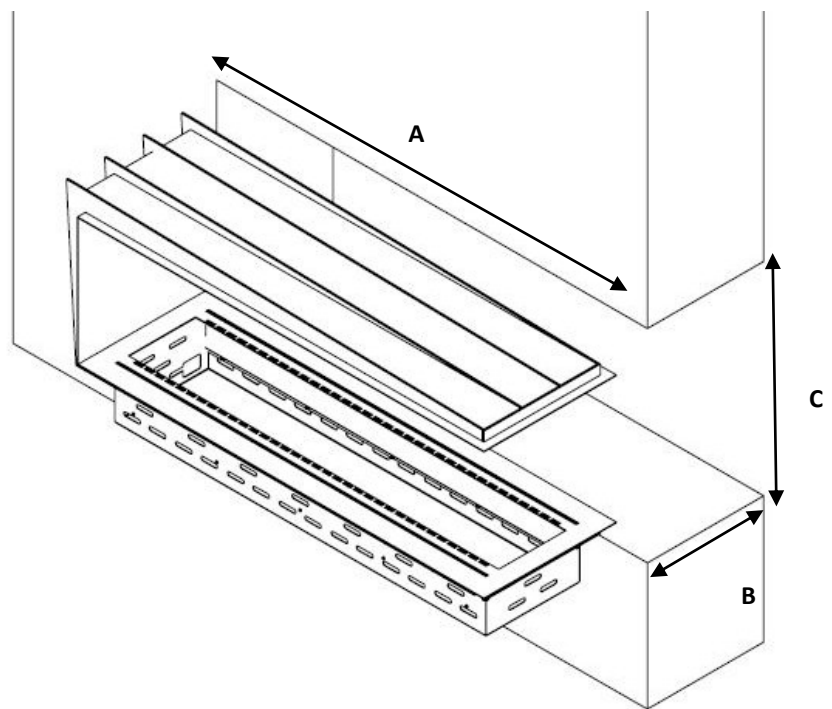
- . A - 200 mm;
- . B - 250 mm;
- . C - 600 mm;



GlammBox Crea7ionEVO Plus Room Divider

Necessary dimensions for the built-in hole of Glammbox Room Divider

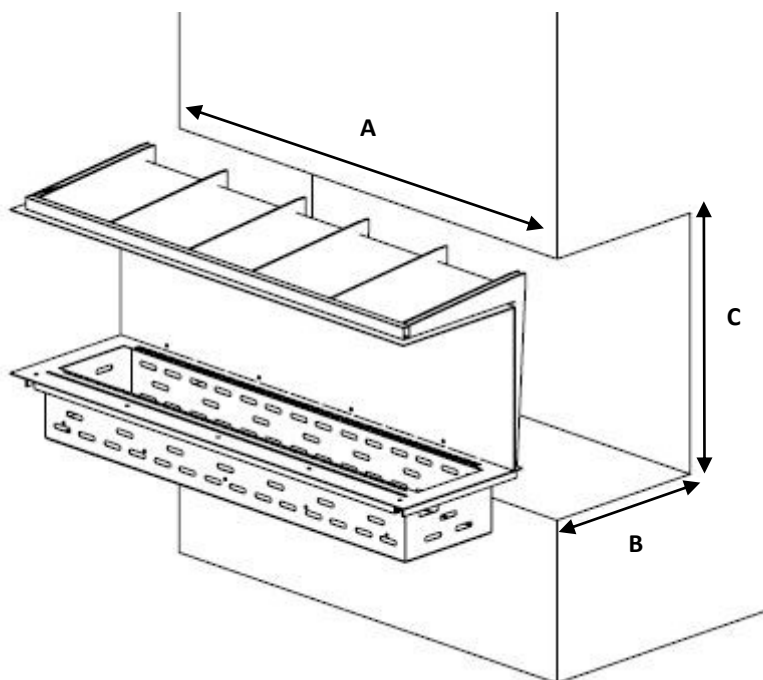
GB Crea7ionEVO Plus Room Divider	Length(A)	Width(B)	Height(C)
880	958mm	367mm	641mm
1080	1158mm	367mm	641mm
1280	1358mm	367mm	641mm



GlammBox Crea7ionEVO Plus 3 Faces

Necessary dimensions for the built-in hole of Glammbox 3 Faces.

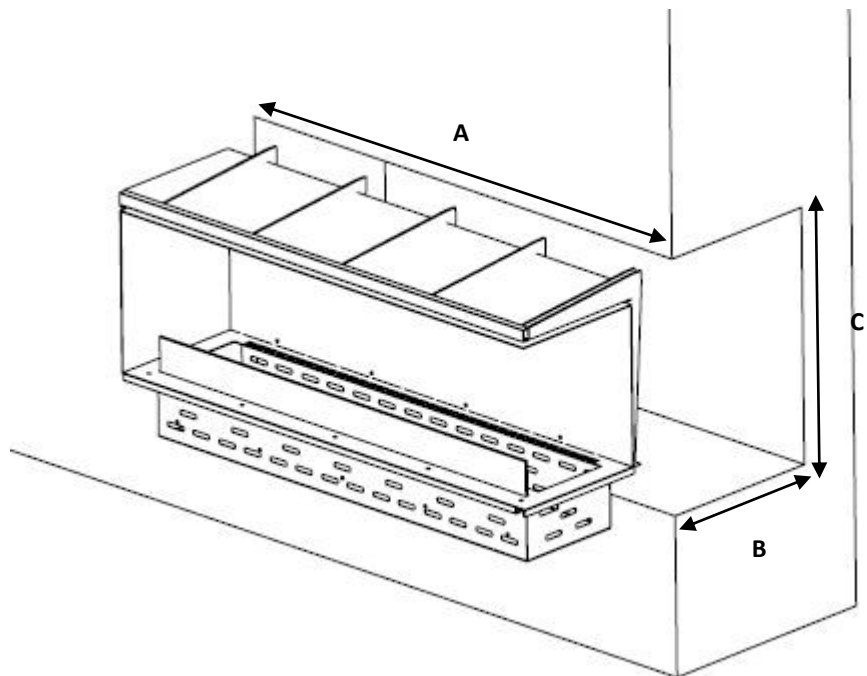
GB Crea7ionEVO Plus 3 Faces	Length (A)	Width (B)	Height (C)
880	830mm	433mm	641mm
1080	1030mm	433mm	641mm
1280	1230mm	433mm	641mm
1680	1630mm	433mm	641mm
2080	2030mm	433mm	641mm



GlammBox Crea7ionEVO Plus Corner R/L

Necessary dimensions for the built-in hole of Glammbox Corner R/L.

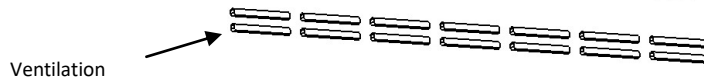
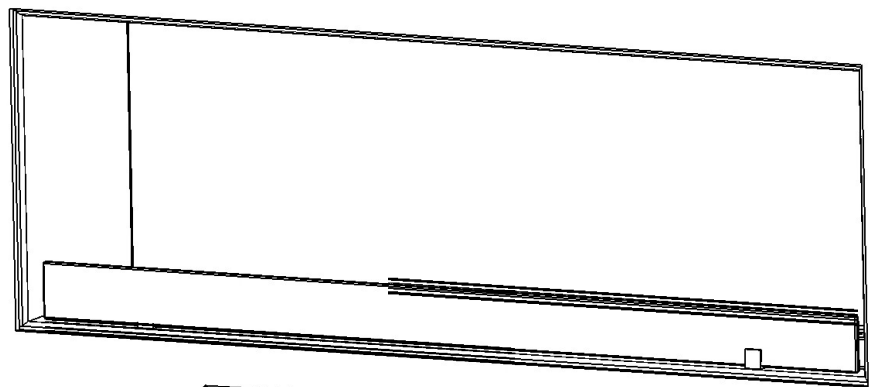
GB Crea7ionEVO Plus Corner R/L	Length(A)	Width (B)	Height (C)
880	928mm	433mm	638mm
1080	1128mm	433mm	638mm
1280	1328mm	433mm	638mm
1680	1728mm	433mm	638mm
2080	2128mm	433mm	638mm



GlammBox Crea7ionEVO Plus

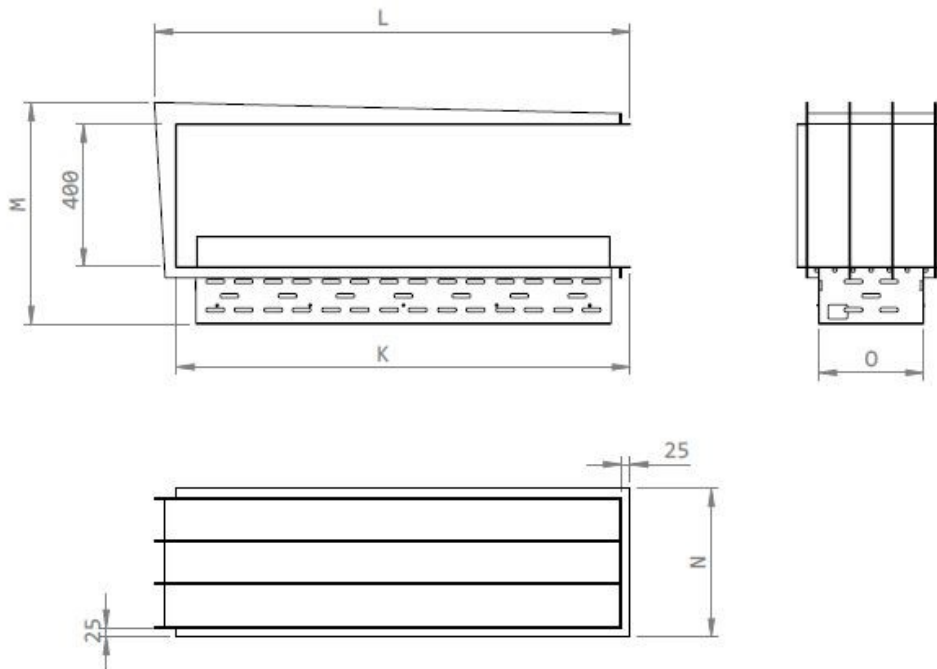
Required ventilation:

GlammBox Crea7ionEVO Plus	Ventilation area
880 Room Divider	75cm ²
1080 Room Divider	115cm ²
1280 Room Divider	150cm ²
880 3 Faces	75cm ²
1080 3 Faces	115cm ²
1280 3 Faces	150cm ²
1680 3 Faces	225cm ²
2080 3 Faces	300cm ²
880 Corner R/L	75cm ²
1080 Corner R/L	115cm ²
1280 Corner R/L	150cm ²
1680 Corner R/L	225cm ²
2080 Corner R/L	300cm ²



GlammBox Crea7ionEVO Plus Room Divider

Overall Dimensions

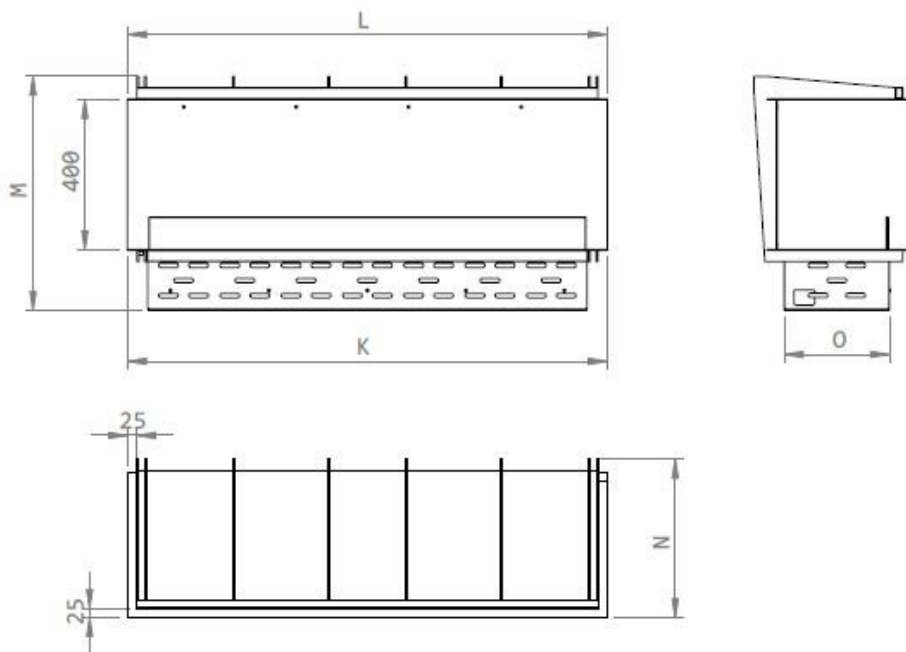


Specifications

GB Crea7ionEVO Plus	K (mm)	L (mm)	M (mm)	N (mm)	O (mm)	Power (kW)	Autonomy (Máx. level)(hours)	Autonomy (Min. level)(hours)	Deposit (l)	Weight (kg)	Recommended min. area (m2)
880	880	942	625	417	296	2	6	8	3	65	15
1080	1080	1142				3,4	4	5		70	21
1280	1280	1342				4,5	5	6		5	85

GlammBox Crea7ionEVO Plus 3 Faces

Overall Dimensions

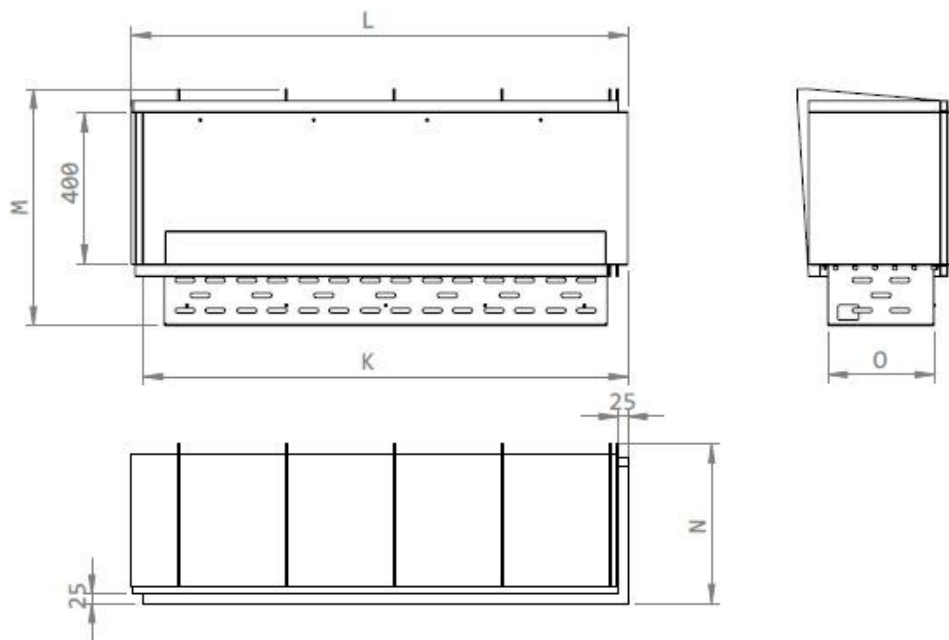


Specifications

GB Crea7ionEVO Plus	K (mm)	L (mm)	M (mm)	N (mm)	O (mm)	Power (kW)	Autonomy (Máx. level)(hours)	Autonomy (Min. level)(hours)	Deposit (l)	Weight (kg)	Recommended min. area (m2)
880	880	880	625	417	281	2	6	8	3	65	15
1080	1080	1080				3,4	4	5		70	21
1280	1280	1280				4,5	5	6	5	85	29
1680	1680	1680				6,75	3	4		130	44
2080	2080	2080				9	4	5:30	8	160	59

GlammBox Crea7ionEVO Plus Corner R/L

Overall Dimensions



Specifications

GB Crea7ionEVO Plus	K (mm)	L (mm)	M (mm)	N (mm)	O (mm)	Power (kW)	Autonomy (Máx. level)(hours)	Autonomy (Min. level) (hours)	Deposit (l)	Weight (kg)	Recommended min. area (m2)
880	880	912	625	417	281	2	6	8	3	65	15
1080	1080	1112				3,4	4	5		70	21
1280	1280	1312				4,5	5	6	5	85	29
1680	1680	1712				6,75	3	4		130	44
2080	2080	2112				9	4	5:30	8	160	59